

CEILING MEDALLION

SAFETY INSTRUCTIONS

Make sure to use the correct tools recommended.

Wear safety goggles.

Follow fixture, power tools, and paint manufacturers' instructions and users manuals.

Use common sense and follow good construction practices.

Medallions are not load bearing. Do not use them to support electrical fixtures or ceiling fans.

TOOL & MATERIAL CHECKLIST

- construction adhesive
- caulk
- caulking gun
- power drill or screw driver
- wood or drywall screws
- extra fine sandpaper
- paint

IMPORTANT INFO

- It is highly recommended that you paint or finish your medallion before you install it.
- Recommended use of 100% acrylic latex paint for urethane products.
- Clean the installation surface and back of medallion of any debris with a clean cloth or sponge.
- Make sure that the surface and the back of the medallion are completely dry before attempting installation.
- Measure and mark the location where the medallion is going to be installed.

IMPORTANT NOTE:

When installing medallions with a light fixture or ceiling fan turn the power off at the breaker before installation. Medallions are solely decorative. Do not use medallions to support the light fixture or fan. Do not use the fixture or fixture canopy to support the medallion. To ensure all electrical codes are met, make sure to consult with a licensed electrician.

Permanent Medallion Installation with a Light Fixture or Ceiling Fan

1. Disconnect and remove current fixture before installing the medallion (if a current fixture is already installed).
2. Measure the fixture canopy. Drill/cut a hole, smaller than the canopy size, in the center of the medallion that is no larger than the canopy size.
3. Lay the medallion face down on a soft surface that will not scratch/dent the medallion detail and apply a 1/2" bead of adhesive caulk all the way around the back edge of the medallion.
4. Feed the electrical wiring through the medallion's center hole and gently press the medallion up against the ceiling.
5. When pressing the medallion up against the ceiling, some adhesive caulk will seep out. Smooth excess caulk around the medallion with a finger or the putty knife and apply extra caulk as needed to fill in any gaps.
6. Wipe off any excess adhesive caulk with a sponge or damp rag.
7. All medallions will need to be installed with screws or finishing nails in addition to the adhesive.
8. Fill any screw or nail holes with caulk and smooth the surface with a finger or the putty knife. If any excess caulk is left, let it dry, and then lightly sand it down with extra fine sand paper.
9. Reconnect the ceiling fixture or ceiling fan following the manufacturer's guidelines.
10. Slide fixture canopy up to medallion and tighten. Make sure it fits snugly against the medallion.
11. Touch up the medallion with any paint that is needed.

Removable Medallion Installation with a Light Fixture or Ceiling Fan

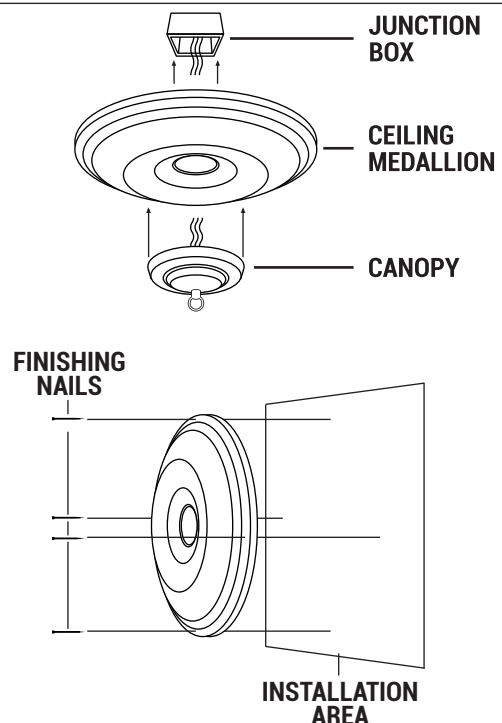
(This process allows for easy removal of the medallion for electrical wiring access)

1. Follow steps 1 and 2 from "Permanent Medallion Installation"
2. Feed the electrical wiring through the medallion's center hole.
3. Install using finishing nails or screws.
4. Countersink nails using nail set and fill any holes with caulking. Smooth the caulk with your finger or putty knife. Once the caulk is dry, lightly sand it smooth if needed.
5. OPTIONAL: Apply latex caulk around the edge of the medallion, blending the medallion into the ceiling (this will make removal slightly more difficult).
6. Reconnect the light fixture or fan according to the manufacturer's guidelines.
7. Slide fixture canopy up to medallion and tighten. Make sure it fits snugly against the medallion.
8. Touch up the medallion with any paint that is needed.

Medallion Installation without a Light Fixture or Ceiling Fan

1. Lay the medallion face down on a soft surface that will not scratch/dent the medallion detail.
2. Apply a 1/2" bead of adhesive caulk all the way around the back edge of the medallion.
3. Gently press the medallion up against the ceiling or wall.
4. When pressing the medallion up against the ceiling or wall, some adhesive caulk will seep out.
5. Smooth excess caulk around the medallion with a finger or the putty knife and apply extra caulk that is needed to fill in any gaps.
6. Wipe off any excess adhesive caulk with a sponge or damp rag.
7. All medallions will need to be installed with screws or nails in addition to the adhesive.

EXAMPLE DIAGRAM:



We Can Help. Call (866) 607-0453



Industry leading manufacturer of urethane, PVC, wood, rustic, and metal millwork

www.ekenamillwork.com

installation instructions:

CEILING RINGS

SAFETY INSTRUCTIONS

Make sure to use the correct tools recommended.

Wear safety goggles.

Follow fixture, power tools, and paint manufacturers' instructions and users manuals.

Use common sense and follow good construction practices.

TOOL & MATERIAL CHECKLIST

- Loctite Power Grab
- elastomeric adhesive caulk
- caulking gun
- nail gun
- finishing nails
- extra fine sandpaper
- putty knife

IMPORTANT INFO

- It is highly recommended that you paint/finish our ceiling rings before you install them. Once installed, you can apply any necessary touchup paint/finish.
- Clean installation surface and back of ceiling ring of all dirt and dust with a clean cloth or sponge.
- Make sure that the surface and the back of the ceiling ring are completely dry before attempting installation.
- Measure and mark the location where the ceiling ring is going to be installed.

INSTALL INSTRUCTIONS:

WHOLE INSTALLATION

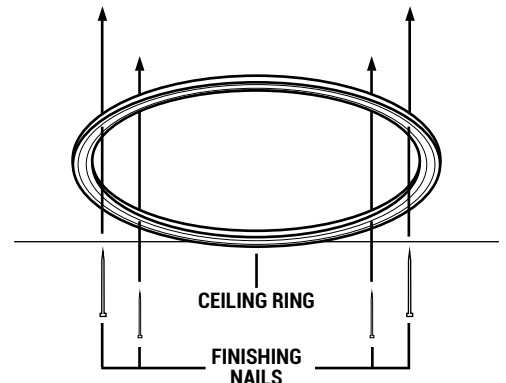
1. Lay the ring face down on a soft surface that will not scratch/dent the medallion detail.
2. Apply a 1/2" bead of adhesive caulk (we strongly recommend Loctite Power Grab) all the way around the back edge of the ring.
3. Gently press the ring up against the ceiling or wall.
4. When pressing the ring up against the ceiling or wall, some adhesive caulk will seep out. Smooth excess caulk around the ring with a finger or the putty knife and apply extra caulk that is needed to fill in any gaps.
5. Wipe off any excess adhesive caulk with a sponge or damp rag.
6. Larger rings will need to be installed with nails in addition to the adhesive.
Note: If you would like to remove the nails after the adhesive sets, leave at least 1/2" of the nail sticking out from the ring, so you can easily pull it out.

QUARTER INSTALLATION

1. Lay the pieces of the ring face down on a soft surface that will not scratch/dent the medallion detail.
2. Miter the ends of the pieces so that they form a circle and the details match up.
3. Apply a 1/2" bead of adhesive caulk (we strongly recommend Loctite Power Grab) all the way around the back edge of the ring.
4. Gently press the ring up against the ceiling or wall.
5. When pressing the ring up against the ceiling or wall, some adhesive caulk will seep out. Smooth excess caulk around the ring with a finger or the putty knife and apply extra caulk that is needed to fill in any gaps.
6. Wipe off any excess adhesive caulk with a sponge or damp rag.
7. Larger rings will need to be installed with nails in addition to the adhesive.
Note: If you would like to remove the nails after the adhesive sets, leave at least 1/2" of the nail sticking out from the ring, so you can easily pull it out.

EXAMPLE DIAGRAM:

WHOLE INSTALLATION



QUARTER INSTALLATION

